

SR1501

Quadrus Half Bowl
Undermount or Inset



Features

Lifetime Warranty

CE Approved

210mm x 430mm overall size, 140mm deep main bowl

Internal 180mm x 400mm bowl

ss304 (1.0mm) steel, powder coated underside

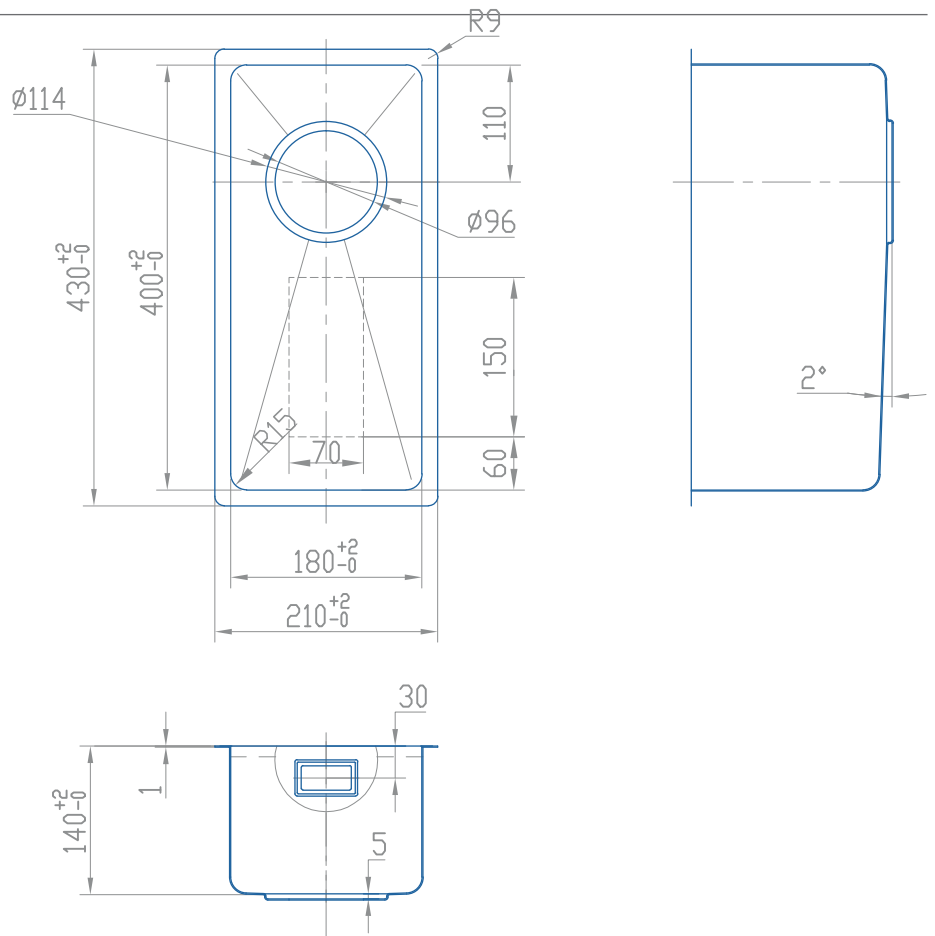
Supplied complete with wastes and hygienic overflow

Minimum cabinet width required 250mm

Waste disposal compatible

Waste Kit Code:

UKH039



Overflow specifications

